

DualTech

COM1 - Concealed wiring
 EAN 4007841 007997
 Article number 007997



ultrasonic sensor
360°



infrared sensor
360°



max. Ø 6 m
presence

2000 W

max. 2000 W



IP20



ideal 2,5 - 3,5 m



indoor sensor

iQ

iQ-mode

Teach

Teach mode



energy saving

Function description

The best of both worlds. Combined in one detector. Ultrasonic presence detector DualTech, ideal for offices, conference rooms and class rooms. 36 sq.m. presence zone, ultrasonic technology provides reliable detection behind objects regardless of temperature, additional detection capability with PIR technology, electronic adjustment for ultrasonic reach, COM1 for switching light ON and OFF.

Technical specifications

Dimensions (L x W x H)	66 x 120 x 120 mm
Manufacturer's Warranty	5 years
Settings via	Remote control, DIP switches, Potentiometers, Smart Remote
With remote control	No
Version	COM1 - Concealed wiring
PU1, EAN	4007841007997
Type	Presence detector
Application, place	Indoors
Application, room	classroom, one-person office, open-plan office, conference room / meeting room, duty room, recreation room, Indoors
Colour	white
Colour, RAL	9010
Includes corner wall mount	No
Installation site	ceiling
Installation	Concealed wiring, Ceiling

Mounting height	2,50 – 3,50 m
Mounting height max.	3,50 m
Optimum mounting height	2,8 m
Ultrasonic technology	40 kHz
Detection angle	360 °
Angle of aperture	180 °
Sneak-by guard	Yes
Capability of masking out individual segments	No
Electronic scalability	Yes
Mechanical scalability	No
Reach, radial	Ultrasonic: Ultraschall: Ø 10 m (Ultraschall: 79 m ²)
Reach, tangential	Ultrasonic: Ultraschall: Ø 10 m (Ultraschall: 79 m ²)
Reach, presence	Ultrasonic: Ultraschall: Ø 6 m (Ultraschall: 28 m ²)
Reach, radial 2	passive infrared: Passiv Infrarot: Ø 4 m (Passiv Infrarot: 13 m ²)

DualTech

COM1 - Concealed wiring
 EAN 4007841 007997
 Article number 007997



Technical specifications

IP-rating	IP20
Ambient temperature	from -25 up to 55 °C
Material	Plastic
Mains power supply	220 – 240 V / 50 – 60 Hz
Fluorescent lamps, electronic ballast	1500 W
Fluorescent lamps, uncorrected	1000 VA
Fluorescent lamps, series-corrected	1000 VA
Fluorescent lamps, parallel-corrected	1000 VA
Switching output 1, low-voltage halogen lamps	2000 VA
LED lamps < 2 W	100 W
LED lamps > 2 W < 8 W	300 W
LED lamps > 8 W	600 W
Capacitive load in µF	176 µF
Sensor Technology 2	passive infrared
Technology, sensors	Ultrasonic, passive infrared, Light sensor

Reach, tangential 2	passive infrared: Passiv Infrarot: Ø 8 m (Passiv Infrarot: 50 m²)
Reach, presence 2	passive infrared: Passiv Infrarot: Ø 4 m (Passiv Infrarot: 13 m²)
Switching zones	520 switching zones
Functions	Normal / test mode, Semi-/fully automatic, Pushbutton / switch mode, Manual ON / ON-OFF
Twilight setting	10 – 1000 lx
Time setting	30 s – 30 Min.
Basic light level function	No
Main light adjustable	No
Twilight setting TEACH	Yes
Constant-lighting control	No
Interconnection	Yes
Type of interconnection	Master/master, Master/slave
Interconnection via	Cable
Interconnection, number	max. 10 sensors
Product category	Presence detector

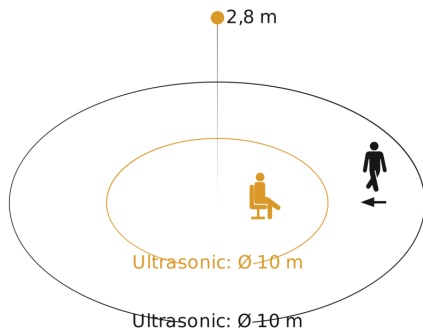
Accessories

EAN 4007841 009151	Remote control Smart Remote
EAN 4007841 559410	Service remote control RC8

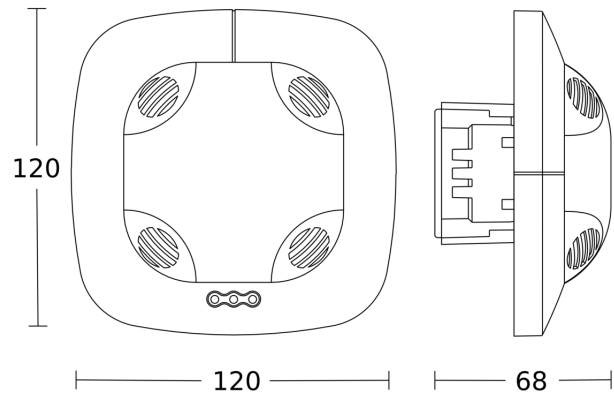
DualTech

COM1 - Concealed wiring
EAN 4007841 007997
Article number 007997

Detection Zone

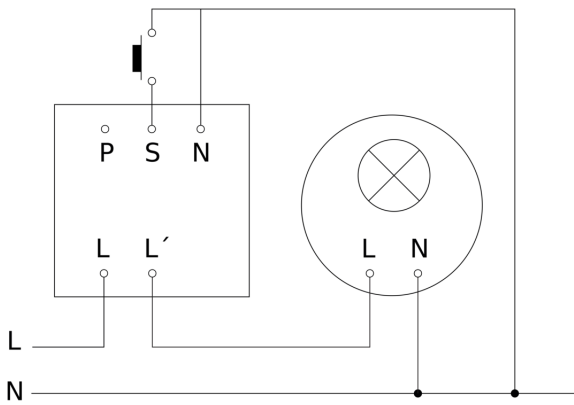


Dimension Drawing



Possible mounting height: 2,50 m - 3,50 m
Orange: presence and tangential
Black: radial

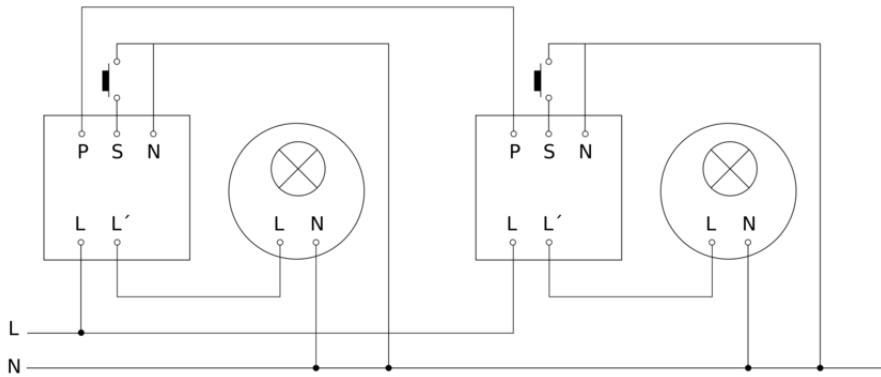
Master circuit diagram



DualTech

COM1 - Concealed wiring
EAN 4007841 007997
Article number 007997

Master/master interconnection circuit diagram



Master/slave interconnection circuit diagram

